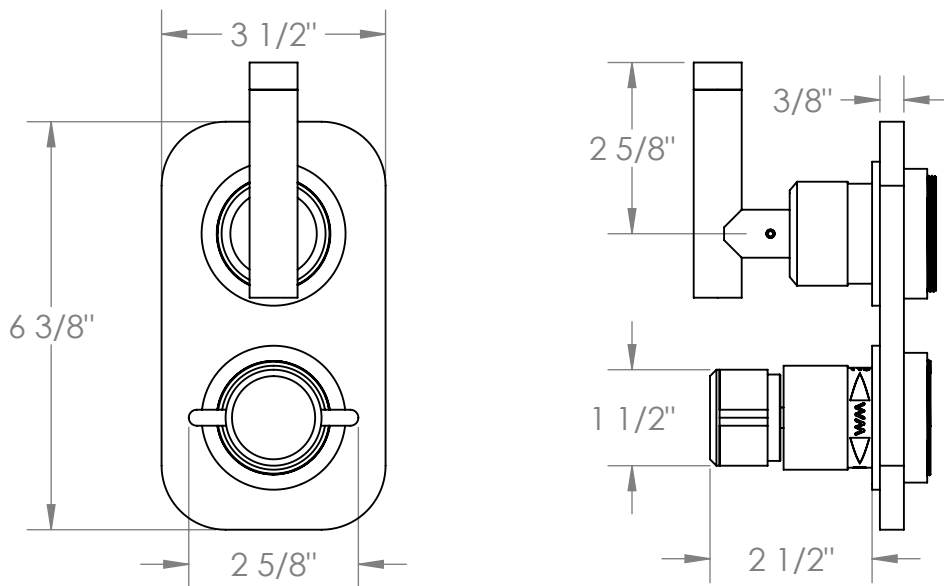
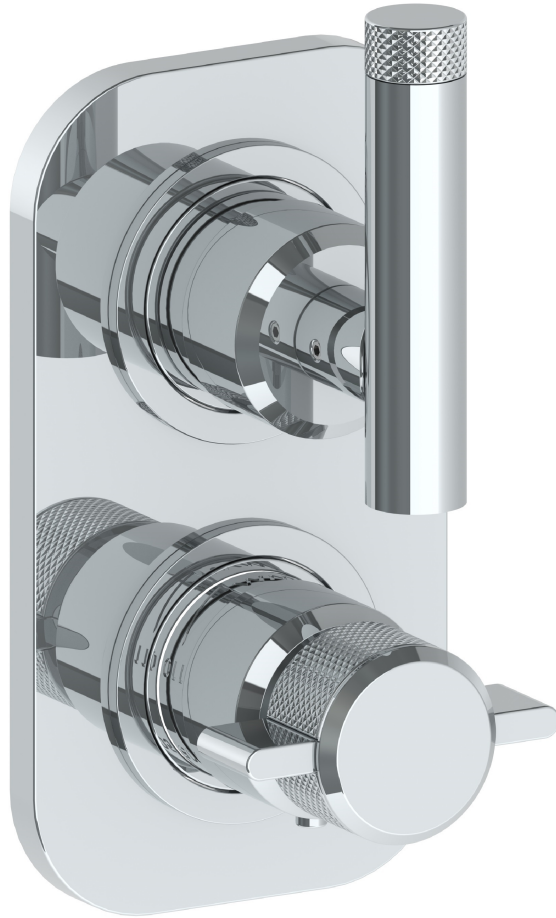


25-T25-IN14

Wall Mounted Mini Thermostatic Trim with Built-In Control
For use with SS-TH60 or SS-TH70 concealed rough



Meets the applicable requirements of ASME A112.18.1-2005/CSA B125.1-05, entitled "Plumbing Supply Fittings"

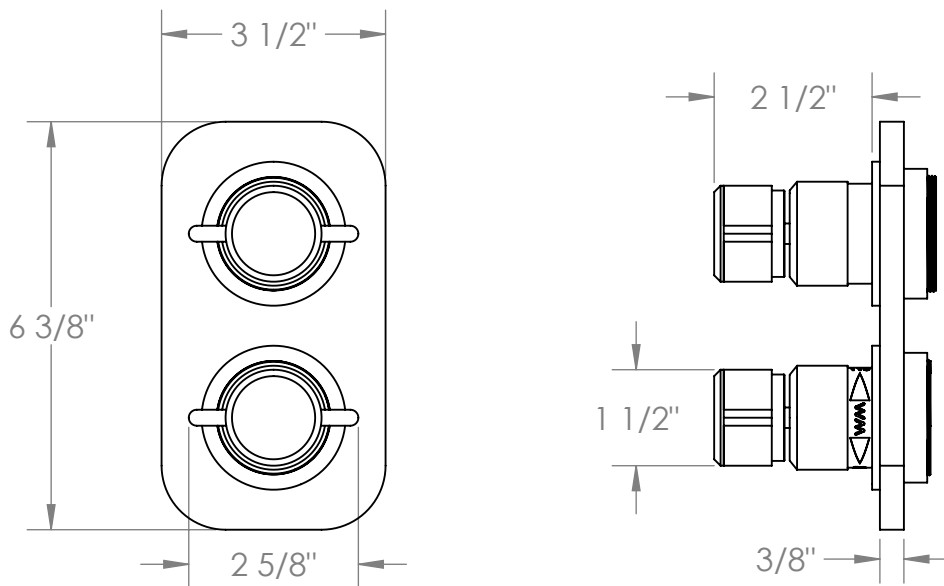
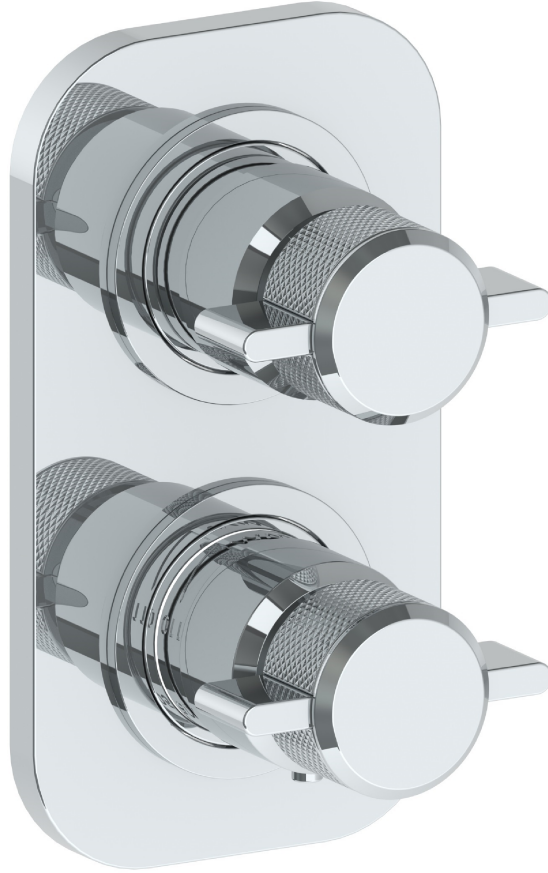
WATERMARK DESIGNS 3/31/2020

350 Dewitt Ave Brooklyn NY 11207 USA T 718 257 2800 F 718 257 2144 info@watermark-designs.com

25-T25-IN16

Wall Mounted Mini Thermostatic Trim with Built-In Control

For use with SS-TH60, SS-TH70, or SS-TH80 concealed rough



Meets the applicable requirements of ASME A112.18.1-2005/CSA B125.1-05, entitled "Plumbing Supply Fittings"

WATERMARK DESIGNS 3/31/2020

350 Dewitt Ave Brooklyn NY 11207 USA T 718 257 2800 F 718 257 2144 info@watermark-designs.com